

Easy Four-Step Dispenser Set Up

Defend Your Yard!

Step 1: Twist the Spray Head and remove from Dispenser Base

Step 2: Insert the batteries and Cylinder Refill Unit (both sold separately). Remove Spray Nozzle from CRU

Step 3: Select power setting (DUSK/DAWN® + Remote, Remote Only, or Off)

Step 4: Attach Spray Head and place Skeeter Defeater Dispenser appropriately in your yard, according to the directions on the CRU label



Protect your outdoor oasis; use the Skeeter Defeater™ Dispenser . . .

- Out on the patio, porch, or gazebo
- Prior to playing in your backyard
- When camping, hunting, or fishing
- Prior to working outdoors
- Before cooking or grilling outside

Read the entire Skeeter Defeater Cylinder Refill Unit label before installing and using the Skeeter Defeater Dispenser.

Want more details, including access to Skeeter Defeater promotions and mosquito-related information? Visit SkeeterDefeater.com.

16 Learn more at SkeeterDefeater.com

©2007 Outdoor Solutions, Inc.

0M712



SKEETER DEFEATER™ Dispenser Instruction Manual and Tips for Best Use

The SKEETER DEFEATER Automatic Dispenser is an innovative Mosquito Defense Unit that incorporates breakthrough spray technology into a simple and affordable model that anyone can set up and use.

The SKEETER DEFEATER Automatic Dispenser boasts an automated DUSK/DAWN® Sensor to kill mosquitoes easily, automatically and hands-free. By combining this amazing patent-pending technology with the proven contact insecticide found in the Cylinder Refill Unit (sold separately), you'll help make your yard mosquito-free.

For additional resources, tips, and information regarding mosquitoes and your SKEETER DEFEATER Dispenser, visit SkeeterDefeater.com.

Defend Your Yard!

Quick-Start Guide listed on backcover.

Contents

Overview and Important Information	pp. 2-3
Initial Set-Up	pp. 4-6
Battery Installation	p. 4
Cylinder Refill Unit (CRU) installation.....	p. 5
3-Way Power Switch Location and Use	p. 6
Activating the Spray Sequence	p. 7
Proper Dispenser Placement & Usage Tips.....	p. 8
Understanding the CRU and Indicator Light.....	pp. 9-10
Tips and Facts for Optimal Use.....	p. 11
Warranty and Appendices.....	pp. 12-15

Learn more at SkeeterDefeater.com

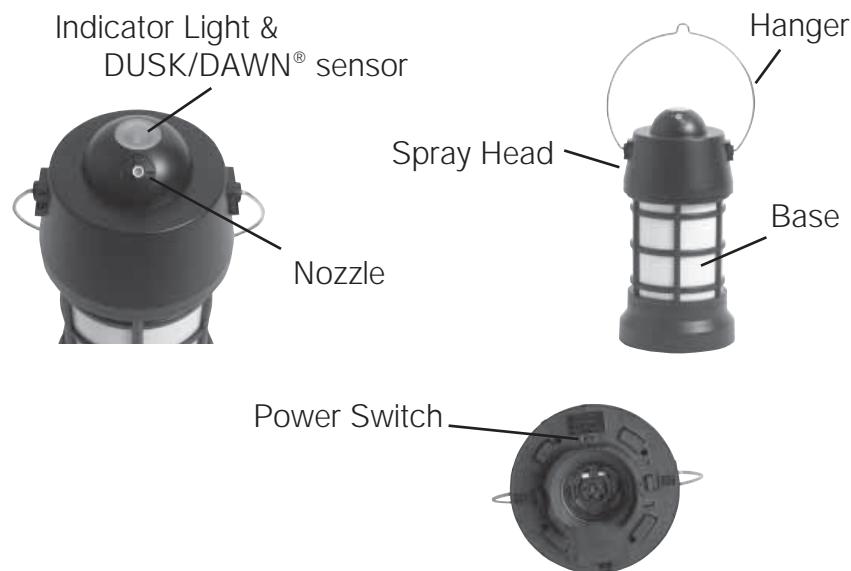
©2007 Outdoor Solutions, Inc.

Overview and Important Information

Included in your package

1. One Skeeter Defeater™ Dispenser
2. One Skeeter Defeater Remote Control
3. One Instruction Manual
4. One Warranty Registration Card (Fill this out and return for access to special promotions; you can also register at SkeeterDefeater.com)

Skeeter Defeater Dispenser



Skeeter Defeater Remote Control



Declaration of Conformity

Certification: Outdoor Solutions,™ Inc. certifies this instrument was inspected and tested thoroughly, and met its published specifications when shipped

Manufacturer's Name: Outdoor Solutions, Inc.

Manufacturer's Address: 2500 Carl Road
Irving, TX 75062

Contact Phone Number: 888.895.2899

Declares that product listed conforms to the requirements of the following Directives

Name: Skeeter Defeater™ Model: 406-SD07
Part 15 of FCC rules Certified by JDI

Warranty Information

LIMITED ONE YEAR WARRANTY

The Skeeter Defeater Dispenser is warranted to the original consumer for one year from date of purchase against defects in material and workmanship. Transportation costs made necessary for returns will be covered as part of this warranty. To complete your warranty registration, go to SkeeterDefeater.com, click on Register My Skeeter Defeater, and follow the steps. You may also fill out the form on page 14 of this manual and mail to the address given, or call us at (888) 895-BUZZ (2899).

WHAT IS NOT COVERED

Damages caused by abuse, modification, or failure to perform normal maintenance. CONSEQUENTIAL DAMAGES, INCIDENTAL DAMAGES, OR INCIDENTAL EXPENSES, INCLUDING DAMAGE TO PROPERTY. SOME STATES DO NOT ALLOW THE EXCLUSION OR LIMITATION OF INCIDENTAL OR CONSEQUENTIAL DAMAGES, SO THE ABOVE LIMITATION OR EXCLUSION MAY NOT APPLY TO YOU.

To the extent any provision of this warranty is prohibited by Federal, state, or municipal law, which cannot be preempted, it shall not be applicable. This warranty gives you specific legal rights, and you may also have other rights that vary from state to state and country to country.

www.SkeeterDefeater.com

The Skeeter Defeater™ Automatic Dispenser is a product manufactured and distributed by ...

Outdoor Solutions, Inc.
2500 Carl Road
Irving, TX 75062

Warranty Registration Form

Name: _____
(First) (Last)

Email: _____

Home address: _____
(Street)

(City) (State) (Zip)

Date of Purchase: _____

Where did you purchase your Skeeter Defeater™ Dispenser? _____

What price did you pay for the Dispenser? _____

How many Cylinder Refill Units did you purchase? ____ At what price? _____

These items are not included in your package

1. **Skeeter Defeater™ Cylinder Refill Unit (CRU):** The CRU contains the contact insecticide that is sprayed from the Dispenser. One CRU contains 66 sprays of insecticide when used with the Dispenser (lasts 33 days when Dispenser is used as directed twice a day). You may also use the CRU as an outdoor hand-held insecticide. See CRU label for additional uses and directions. You may purchase replacement CRUs anywhere the Skeeter Defeater is sold, including online at SkeeterDefeater.com.
2. **Four AA Batteries:** The Dispenser requires power from four AA batteries.



Warning

Read this instruction manual before using the Skeeter Defeater Dispenser or installing the Cylinder Refill Unit (CRU).

Read the CRU label BEFORE using the insecticide and follow the precautions and use directions accordingly.

Use the Dispenser only when pests are present, and always place Dispenser out of reach of children or pets.

Do not spray when people, pets, or food are near the Dispenser and could potentially be contacted by the spray.

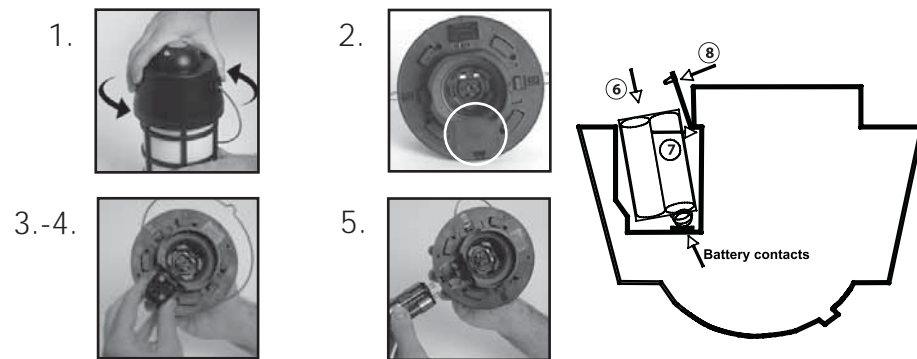
Avoid eye contact. Stand clear of the direct line of the spray head.

Initial Set Up

One reason people love the Skeeter Defeater™ Automatic Dispenser is because it's so easy to set up and maintain. Follow the instructions below to quickly have your Dispenser defending your yard.

Battery Installation

The Skeeter Defeater Dispenser requires 4 AA batteries, which are sold separately. These batteries last approximately two months before they need to be replaced.



1. Twist the Spray Head of Dispenser counter-clockwise to remove from the Base.
2. Locate the Battery Chamber on the underside of the Spray Head.
3. Release the tab to the Battery Chamber Door and remove it.
4. Remove the Battery Holder from the Battery Chamber by pushing the Holder outward to unlock it from the Chamber.
5. Insert 4 AA batteries into the Battery Holder, paying close attention for proper connections. Be sure to align the positive (+) and negative (-) connections properly.
6. Insert the Battery Holder back into the Battery Chamber, and verify that the battery contact springs are aligned and contacting the metal contact points.
7. Push the Battery Holder down and toward the center of the Spray Head to lock into place.
8. Lock the Battery Chamber Door back into place. If the Chamber Door refuses to close completely, then the Battery Holder is not properly locked. Repeat step 7.

4 Learn more at SkeeterDefeater.com

©2007 Outdoor Solutions, Inc.

Register Your Skeeter Defeater™ Automatic Dispenser ASAP!

By registering your Skeeter Defeater Dispenser, you can take advantage of the Limited One-Year Warranty, plus receive promotions and specials reserved only for our current customers.

The quickest way to register your Skeeter Defeater Dispenser is online at SkeeterDefeater.com. Just click on "Register My Skeeter Defeater" and follow the next steps. You may also call us at 1.888.895.BUZZ (2899).

As a third option, you can fill out the form on the back of this page, cut out of the Skeeter Defeater Instruction Manual, and mail to this address:

Skeeter Defeater Registration
2500 Carl Road
Irving, TX 75062

Learn more at SkeeterDefeater.com 13

©2007 Outdoor Solutions, Inc.

Appendix A – Skeeter Defeater™ Dispenser

This device complies with Part 15 of the FCC Rules. Operation is subject to the following two conditions: (1) This device may not cause harmful interference, and (2) This device must accept any interference received, including interference that may cause undesired operation.

Warning: Changes or modifications to this unit not expressly approved by the party responsible for compliance could void the user's authority to operate the equipment

NOTE: This equipment has been tested and found to comply with the limits for a Class B digital device, pursuant to Part 15 of the FCC Rules. These limits are designed to provide reasonable protection against harmful interference in a residential installation. This equipment generates, uses, and can radiate radio frequency energy and, if not installed and used in accordance with the instructions, may cause harmful interference to radio communications.

However, there is no guarantee that interference will not occur in a particular installation. If this equipment does cause harmful interference to radio or television reception, which can be determined by turning the equipment off and on, the user is encouraged to try to correct the interference by one or more of the following measures

- Reorient or relocate the receiving antenna,
- Increase the separation between the equipment and receiver,
- Connect the equipment into an outlet on a circuit different from that to which the receiver is connected, or
- Consult the dealer or an experienced radio/TV technician for help.

Appendix B – Skeeter Defeater Remote Control

Warning: Changes or modifications to this unit not expressly approved by the party responsible for compliance could void the user's authority to operate the equipment

NOTE: This equipment has been tested and found to comply with the limits for a Class B digital device, pursuant to Part 15 of the FCC Rules. These limits are designed to provide reasonable protection against harmful interference in a residential installation. This equipment generates, uses and can radiate radio frequency energy and, if not installed and used in accordance with the instructions, may cause harmful interference to radio communications.

However, there is no guarantee that interference will not occur in a particular installation. If this equipment does cause harmful interference to radio or television reception, which can be determined by turning the equipment off and on, the user is encouraged to try to correct the interference by one or more of the following measures

- Reorient or relocate the receiving antenna,
- Increase the separation between the equipment and receiver,
- Connect the equipment into an outlet on a circuit different from that to which the receiver is connected, or
- Consult the dealer or an experienced radio/TV technician for help.

12 Learn more at SkeeterDefeater.com

©2007 Outdoor Solutions, Inc.

Initial Set Up (cont.)

Installation of CRU (sold separately)

The Skeeter Defeater™ Dispenser must be used exclusively with the Skeeter Defeater Cylinder Refill Unit (CRU), which is sold separately. The CRU contains pyrethrin, a botanical insecticide that kills mosquitoes on contact. For more information on pyrethrin, visit SkeeterDefeater.com. Learn more about the CRU on page 9 of this manual.

WARNING

The Skeeter Defeater Dispenser is designed to be used only with a Skeeter Defeater CRU. Attempting to install any other aerosol may cause damage to the Dispenser and may release all the contents of the aerosol in one spray.



Remove Spray Nozzle BEFORE Installing CRU.

1. With the Spray Head still detached from the Base, **remove the cap and spray nozzle** from the CRU and place the CRU upright on a flat surface outdoors.
2. Be sure the Power Setting on the Spray Head is set to "Off."
3. With the Nozzle pointing away from you, place the Spray Head on top of the CRU and press down firmly on the top of the unit with the palm of one hand (pictured) until the CRU snaps into place.
4. Move the 3-way Power Switch to the desired operation setting (see page 6 for more details).
5. Line up the arrow on the top lip of the Base with the OPEN arrow on the bottom lip of the Spray Head and then twist the Spray Head clockwise to align arrows in the CLOSE position.

Learn more at SkeeterDefeater.com

©2007 Outdoor Solutions, Inc.

Initial Set Up (cont.)

3-Way Power Switch and Use

The Skeeter Defeater™ Dispenser offers three power settings for complete control and customization as you desire.

1. **OFF (Center Position)** – Set the Dispenser to the OFF position whenever mosquitoes are not present, or when winds exceed or may exceed 5 miles per hour (mosquitoes stay sheltered when winds are higher than 5 miles per hour), or whenever people, pets or food are present.
2. **REMOTE ONLY (Left Position)** – The Indicator Light will blink once when the Power Switch is set to this position. The Remote Control (included) allows you to initiate the spray sequence from up to 50 feet away from the Dispenser, whether you're indoors or outdoors. One Remote Control will work on multiple Skeeter Defeater Dispensers. To initiate, press the button on the Remote Control. The Remote Control light will stay lit for four seconds as it sends a signal to the Dispenser. Do not cover the front of the remote with your finger while pressing the button.
3. **DUSK/DAWN® + REMOTE (Right Position)** – The Indicator Light will blink twice when set to this position. Mosquitoes are most active at dusk and dawn. The DUSK/DAWN Sensor on the top of the Spray Head detects dusk and dawn every day without the need to set any timers or clocks, initiating the spray sequence. In this setting, you can also still use the Remote Control for additional protection (up to two additional sprays a day/four total).

Note: In order to conserve battery power, the Dispenser only powers on every six seconds to check for a signal. Therefore, it may take up to 10 seconds for a signal from the remote to initiate the Dispenser spray sequence.

The Dispenser may only be used when pests are present. Do not spray the insecticide more than four times per day.

6 Learn more at SkeeterDefeater.com

©2007 Outdoor Solutions, Inc.

Tips and Facts to Optimize the Use of Your Skeeter Defeater™ Automatic Dispenser

1. Observe how the Dispenser sprays, and adjust its placement for the best coverage in your yard specifically.
2. Be aware of wind conditions. Mosquitoes generally cannot be in the open when winds are higher than 5 mph. For best coverage, position the Nozzle on the Dispenser to spray downwind.
3. The Skeeter Defeater Automatic Dispenser is portable and easy to maintain – it's a great item to take camping and to use on patios and decks.
4. When used as directed, the Skeeter Defeater Automatic Dispenser operates for less than 50 cents a day.
5. Weather conditions that cause unusually dark skies (such as storms) can sometimes trick the DUSK/DAWN® Sensor. The sensor measures the light for 10 minutes at a time to help minimize this issue, but it is still possible for dark skies to initiate the sensor and for the Dispenser to release the spray at a time other than dusk or dawn. It is recommended to turn the unit off when such situations arise.
6. The expected battery life for the Remote Control is two years. When you need to replace your Remote Control, you can purchase a new one at SkeeterDefeater.com.
7. Dispenser batteries last for approximately two months when used regularly. It is suggested to change batteries every other time you replace the CRU.
8. The Skeeter Defeater Automatic Dispenser works best as part of an integrated pest management program. Don't entice mosquitoes to come to your yard – drain standing water on a regular basis.
9. Place the unit in direct sunlight for optimal usage. If you want to treat shaded areas, remember to place the Dispenser in open sunlight and point toward the shaded area; do not place the Dispenser in the shaded area.
10. Always point the nozzle away from you when replacing the CRU, and be sure the Dispenser is turned off.

Learn more at SkeeterDefeater.com 11

©2007 Outdoor Solutions, Inc.

Understanding the Cylinder Refill Unit (CRU) (cont.)

To remove the CRU from the Dispenser

1. Turn the Spray Head counter-clockwise and detach from the Base.
2. Turn the Power Switch to OFF (Center).
3. With the Spray Head still attached to the CRU, locate the release tabs on the bottom of the Spray Head and then place the CRU on a flat surface.
4. Pull the release tabs with your forefingers, and use your other fingers to pull away the CRU.
5. Install your new CRU using the steps found on page 5. Dispose of your emptied CRU according to the directions on the product label.



Understanding the Indicator Light

The Dispenser uses the Indicator Light to inform you of three key messages.

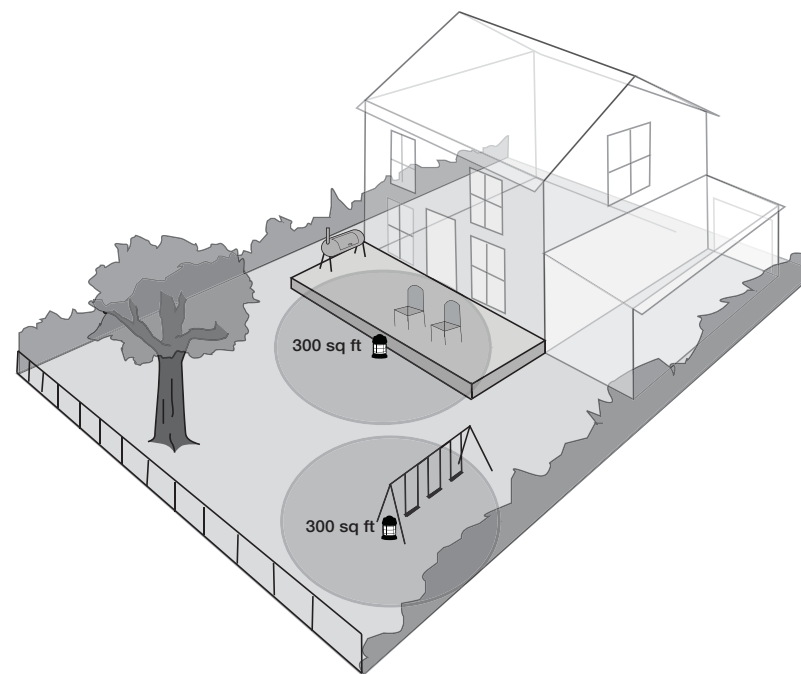
1. Power On Indication: the Indicator Light will blink once when the Power Switch is set to Remote Only (left), and twice when set to DUSK/DAWN® + Remote (right).
2. The Indicator Light will blink progressively faster for 6 seconds prior to the Dispenser spraying, and will remain lit while spraying.
3. The Indicator Light will blink once every 4 seconds to indicate a low level of insecticide left in your current CRU.

The DUSK/DAWN Sensor is also located in the same area as the Indicator Light, on top of the Spray Head.

The Spray Sequence

Once the batteries and CRU are installed, and the power setting is chosen, place your Skeeter Defeater™ Dispenser appropriately in your yard for maximum effectiveness (see page 8 for further direction).

When you initiate the spray sequence (either via Remote Control or DUSK/DAWN® Sensor), the Indicator Light will blink increasingly faster for six seconds. The Nozzle will then spray the insecticide from the Dispenser for four seconds, and the Indicator Light will remain lit during this time. You will see the spray in the air for a short period before it disappears from site. Rest assured that the insecticide is still working and spreading throughout your yard (even behind the Dispenser) up to 300 square feet even though you can't see it.



Proper Dispenser Placement



The Skeeter Defeater™ Dispenser works very well in most outdoor settings. Hang the Dispenser six feet above the ground, out of reach of children and pets, or place on a sturdy flat surface five to six feet above the ground. The Skeeter Defeater Dispenser hangs easily from shepherd's hooks, fence posts, awnings, and other similar hardware. And because it has a flat base, you can also set the Skeeter Defeater Dispenser on high ledges, columns, and other high surfaces.

Important: when the Dispenser is set to the DUSK/DAWN + Remote Power Setting, the Dispenser must be placed in direct sunlight to perform at an optimal level.

The DUSK/DAWN® Sensor is a highly advanced device that measures even the smallest changes in light. By placing the unit in direct sunlight, you allow for the Dispenser to receive the best possible information when determining dusk and dawn each day. With this in mind, it is best to not place the Dispenser in heavily shaded areas.

Direct the Nozzle to spray toward the target area, and away from swimming pools, water bodies, and eating and cooking areas. One Skeeter Defeater Dispenser effectively treats up to 300 sq ft. Even though the Dispenser sprays in one direction, the insecticide will disperse and actually cover 360 degrees around the Dispenser when used in proper weather conditions. The diagram on page 7 shows a typical yard and the possible coverage areas for one Skeeter Defeater Dispenser. Multiple Dispensers may be used to treat an entire outdoor area (and can be controlled by a single Remote Control), but do not use more than one Dispenser for every 300 square feet of space. To reduce wind exposure, some people point the Dispenser toward their house, and then allow the insecticide to rebound off the walls and cover additional areas in the yard.

Understanding the Cylinder Refill Unit (CRU)

The Cylinder Refill Unit (CRU) serves as the “ammo” for your Skeeter Defeater™ Dispenser, and is sold separately. It contains pyrethrin, a botanical insecticide that kills mosquitoes on contact. **The CRU is designed to work exclusively with the Skeeter Defeater Dispenser; no other aerosol containers will fit into the Spray Head of the Dispenser and work properly.** The CRU comes with a spray button and can be used apart from the Dispenser to spray outdoor areas by hand. **It is necessary to remove this spray button before inserting the CRU into the Dispenser.**



Replacing the CRU

The CRU will last for 66 sprays when used with the Dispenser. If you spray the Dispenser twice a day (dusk and dawn), the CRU will last 33 days. The Indicator Light will blink once every four seconds once the unit has been sprayed 54 times to notify you of the upcoming need for a replacement CRU. You can purchase additional CRUs where you purchased your Dispenser, at various retail outlets, and online at SkeeterDefeater.com.

Note: The internal counter found in the Dispenser counts sprays since last powering on the unit. Therefore, if you turn off the power of the Dispenser and then turn it back on without changing the CRU, the counter will be set to zero. In this instance, the Indicator Light would not blink at the right time to let you know your CRU is almost empty.